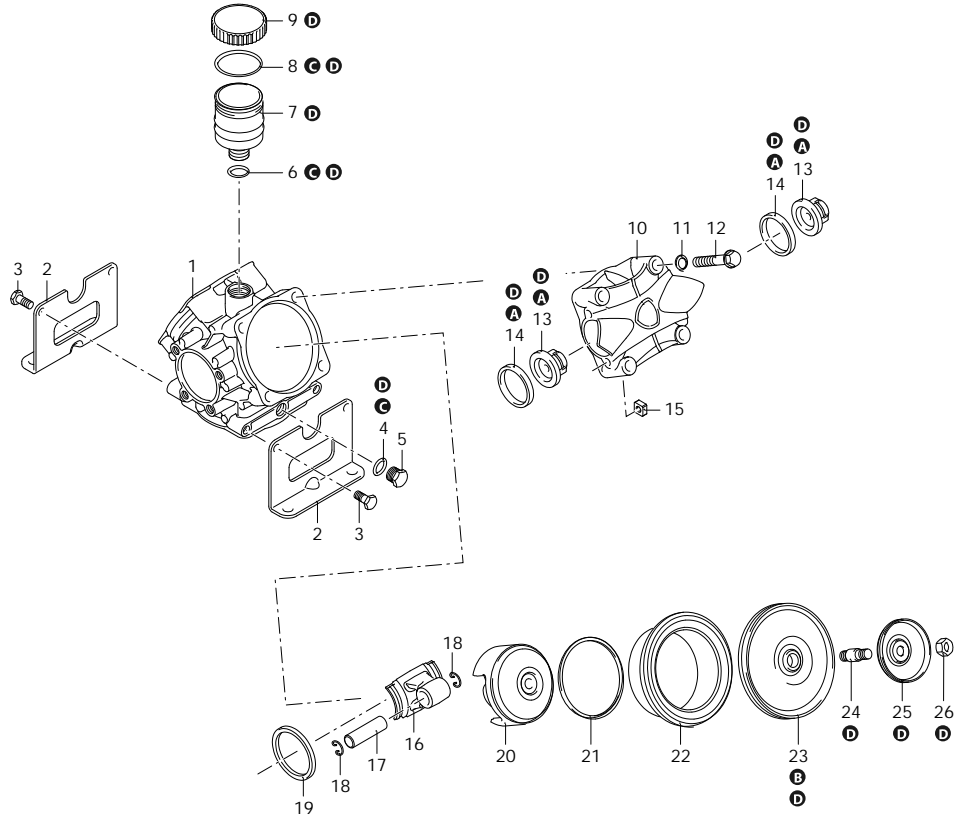




AR 140 LFP

32031 AR 140 LFP AP C/C - BlueFlex



Code	Description	Q	Note	Validity
1	3460010 Pump body	1		
2	3460100 Foot	2		
3	160673 Screw	TE M10x25	4 C=30Nm	
4	740290 O-ring	Ø 14x1,78	1 Lubricate Molykote PG54	
5	880530 Plug	3/8" G	1 C=20Nm	
6	720030 O-ring	Ø 22,22x2,62	1 Lubricate Molykote G-807	
7	3120240 Tank		1	
8	650920 O-ring	Ø 53,65x2,62	1 Lubricate with Mineral Grease	
9	1040324 Plug	red	1	
10	3460020 Head		3	
11	390092 Washer		12	
12	750072 Screw	TE M12x70	12 C=35Nm	
13	2429051 Valve	AISI 316L	6	
14	3460380 Gasket	Viton	6 Lubricate Molykote PG54	
15	3120510 Nut	M8	12	
16	3460080 Connecting-rod		3 Lubricate with motor oil	
17	380300 Pin		3 Lubricate with Mineral Grease	
18	380080 Ring	seeger Øi 14	6	
19	3460090 Ring	Connecting-rod	2	
20	580120 Piston	Ø 80	3	
21	500260 Piston ring		3	
22	750110 Sleeve		3	
23	550081 Diaphragm	BlueFlex - Øe 115	3	
24	2240101 Hub pin	AISI 316L	3 C=30Nm	
25	751531 Wobble plate		3	
26	2240670 Nut	M10 / BlueFlex	3 C=25Nm	
A	43138 Valve kit		1	
B	43085 Diaphragms kit	BlueFlex	1	
C	43139 O-ring kit		1	
D	43140 Maintenance repair kit	BlueFlex	1	
E	47184 Tank kit		1	

346_01-001_ar

Customer: AR
Customer Code:



SAE 30
0,900 Kg

Revision: 1

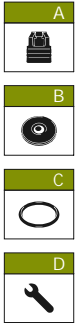
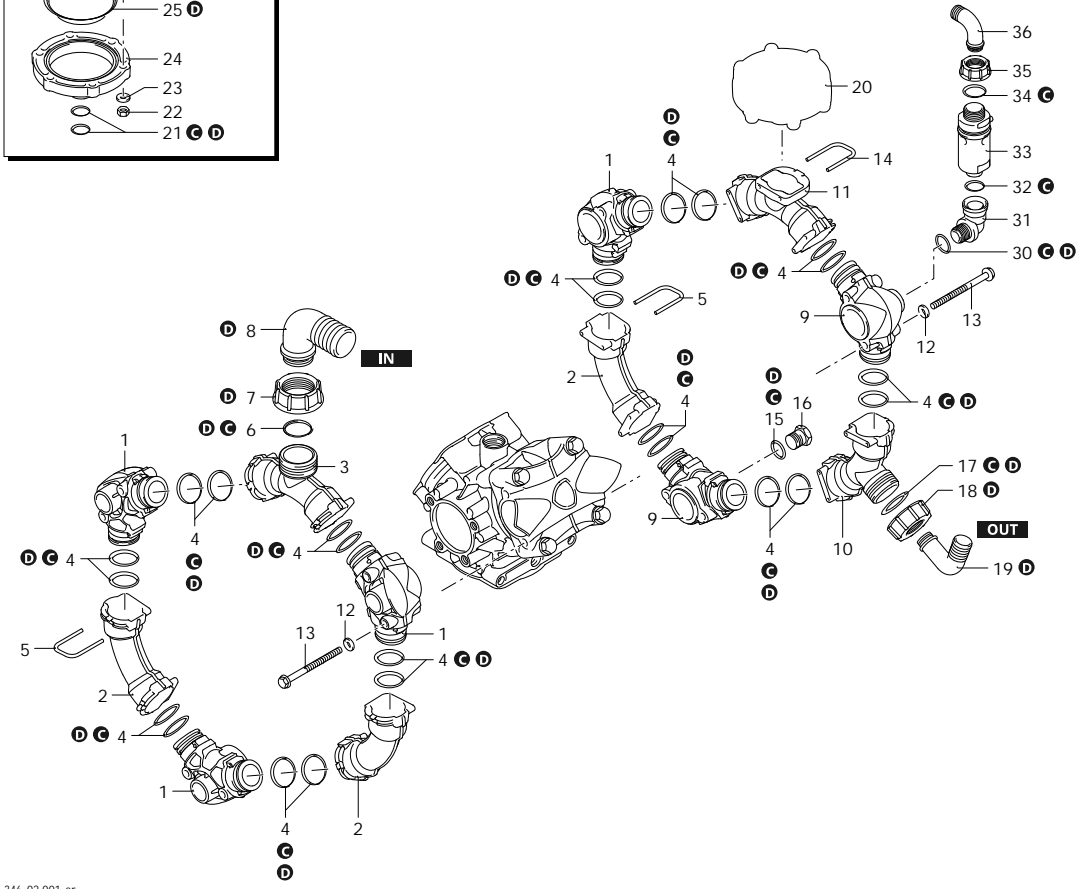
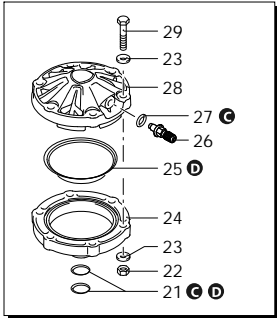
Date: 05/07/2024

Validity: < XX/YY = From week/year



AR 140 LFP

32031 AR 140 LFP AP C/C - BlueFlex



Code	Description	Q	Note	Validity
1	3460030 Line	4		
2	3460040 Line	3		
3	3460050 Line	1	intake	
4	2680141 O-ring	24	Ø 32,93x3,53 Viton	Lubricate Molykote G-807
5	3460210 Fork	12		
6	1880460 O-ring	1	Ø 29x3 Viton	Lubricate Molykote PG54
7	750670 Ring nut	1	1" 1/2 G	
8	50267 Elbow	1	Ø 40	
9	3460031 Line	2		
10	3460060 Line	1	delivery	
11	3460070 Line	1		
12	390315 Washer	12		
13	3460201 Screw	12	TE M8x100	C=12Nm
14	3460210 Fork	1		
15	1140451 O-ring	1	Ø 20,24x2,62 Viton	Lubricate Molykote PG54
16	3460220 Plug	1	1/2" G	C=10Nm
17	880311 O-ring	1	Ø 26,65x2,62 Viton	
18	651100 Ring nut	1	1" 1/4 G	
19	651460 Elbow	1	Ø 25	
20	43067 Air chamber	1	BlueFlex	
21	880311 O-ring	2	Ø 26,65x2,62 Viton	
22	3120260 Nut	6	M8	C=20Nm
23	390315 Washer	12		
24	3460180 Semi air chamber	1	lower	
25	800192 Diaphragm	1	BlueFlex - Øe 94	
26	180020 Air valve	1		C=3Nm / Loxeal 55-14
27	650542 Gasket	1		Lubricate with motor oil
28	3460190 Semi air chamber	1	upper	
29	621782 Screw	6	TE M8x40	C=10Nm / Molykote 1000
30	651350 Gasket	1		
31	3460320 Fitting	1	1/2" G (M-F)	
32	180102 O-ring	1	Ø 17,5x2	
33	1609000 Safety valve	1	20 bar	Loxeal 24-18
34	880831 O-ring	1	Ø 15,54x2,62 Viton	Lubricate Molykote G-807
35	550450 Ring nut	1	3/4" G	
36	550460 Elbow	1	Ø 18	
A	43138 Valve kit	1		
B	43085 Diaphragms kit	1	BlueFlex	
C	43139 O-ring kit	1		
D	43140 Maintenance repair kit	1	BlueFlex	

346_02-001_ar

Customer: AR
Customer Code:



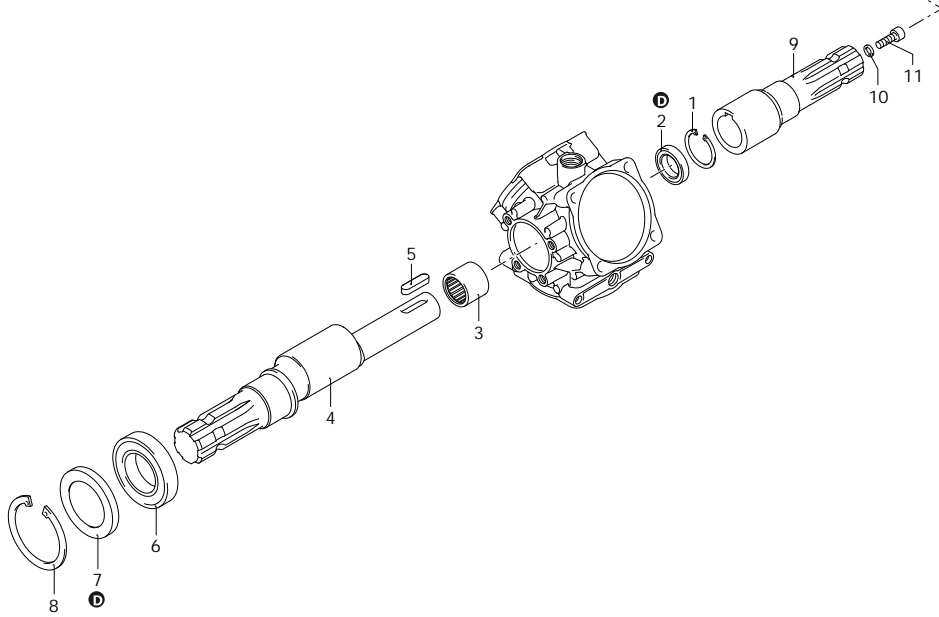
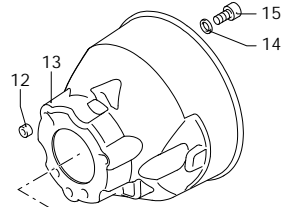
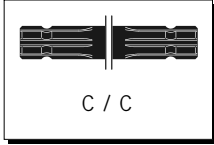
Revision: 1
Date: 05/07/2024

Validity: < XX/YY = From week/year



AR 140 LFP

32031 AR 140 LFP AP C/C - BlueFlex



Code	Description		Q	Note	Validity
1	480900 Ring	seeger Øi 35	1		
2	1300230 Ring	seal	1	Lubricate with Mineral Grease	
3	3460110 Bearing		1	Press Mount	
4	3460280 Shaft	DW marked	1		
5	650250 Key		1		
6	961781 Bearing		1	Press Mount	
7	3120160 Ring	seal	1	Lubricate with motor oil	
8	961790 Ring	seeger Øi 68	1		
9	650300 Coupling		1	Spray Molykote D-321R	
10	961340 Washer		1		
11	680350 Screw	TCEI M8x35	1	C=10Nm	
12	1200521 Spacer		1		
13	3240290 Cardan protection		1		
14	320622 Washer		4		
15	820672 Screw	TCEI M10x16	4	C=10Nm	
A	43138 Valve kit		1		
B	43085 Diaphragms kit	BlueFlex	1		
C	43139 O-ring kit		1		
D	43140 Maintenance repair kit	BlueFlex	1		

346_03-003_ar

Customer: AR
Customer Code:



SAE 30
0,900 Kg

Revision: 1

Date: 05/07/2024

Validity: < XX/YY = From week/year