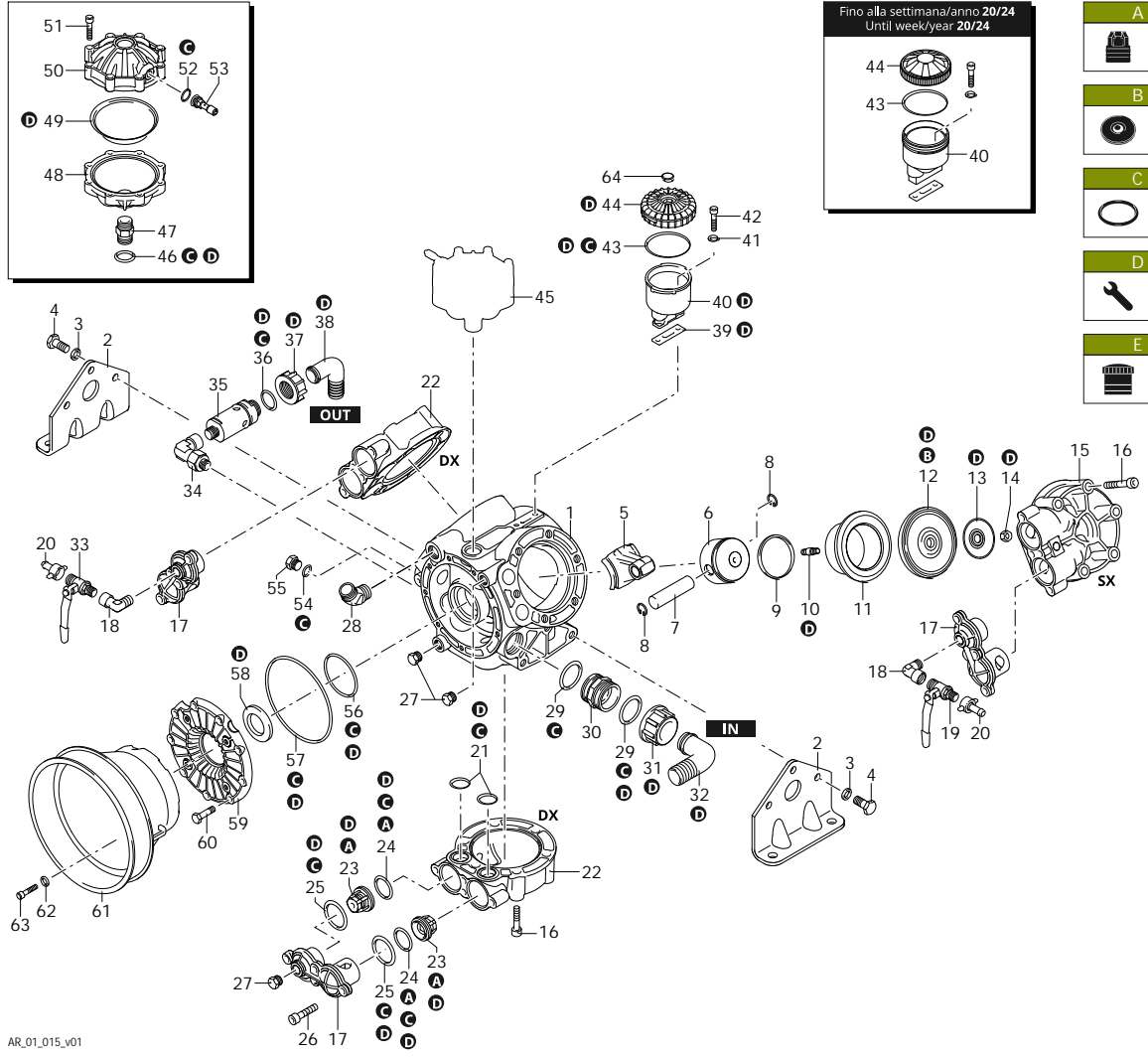




AR 1203

32118 AR 1203 AP C/C - BlueFlex



AR_01_015_v01

Customer: AR
Customer Code:



SAE 30
1,600 Kg

Revision: 1

Date: 05/07/2024

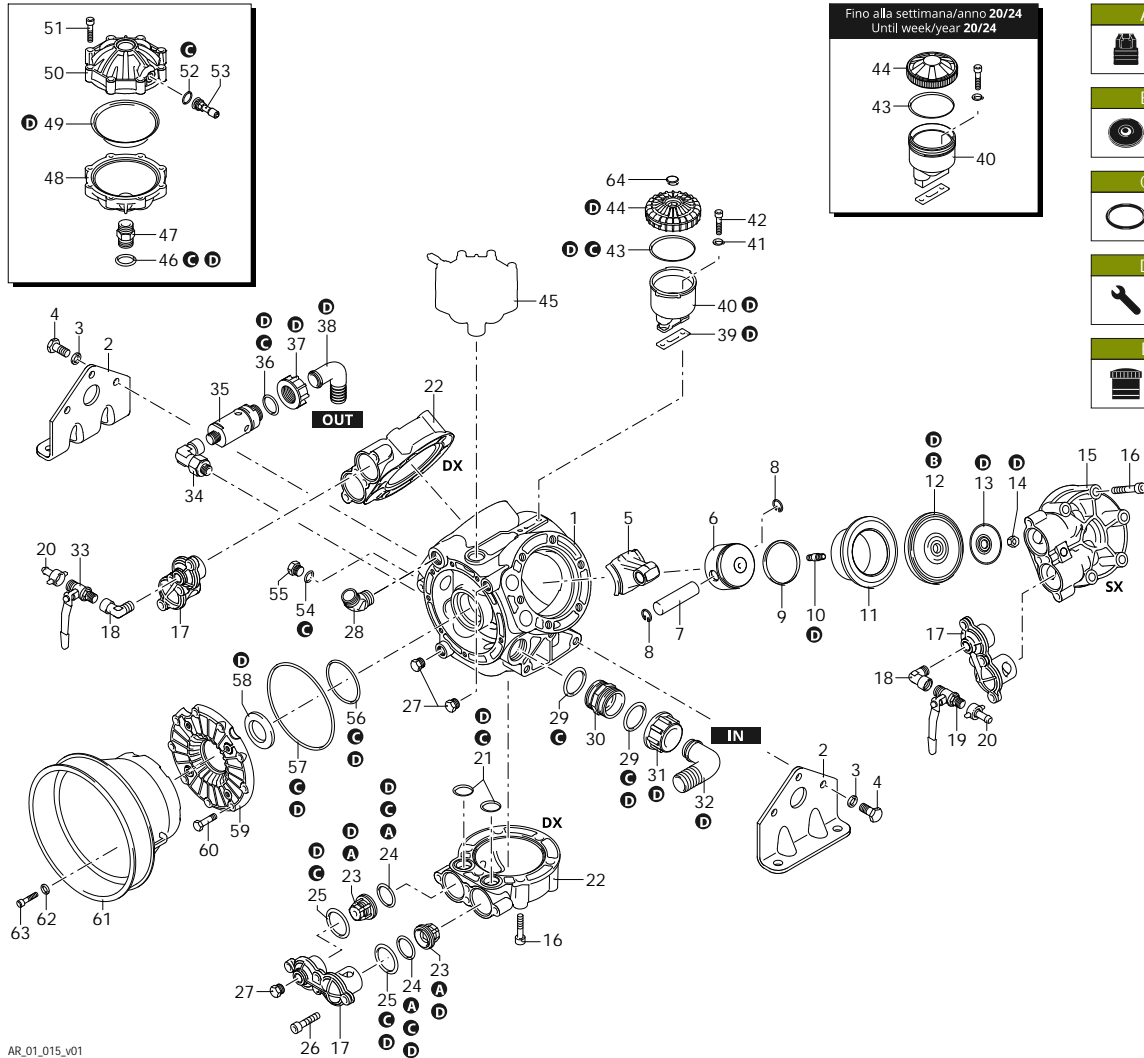
Validity: < XX/YY = From week/year

Code	Description	Q	Note	Validity
1	2680010 Pump body	1		
2	2680100 Foot	2		
3	250141 Washer	6		
4	540210 Screw	6	C=50Nm	
5	2680320 Connecting-rod	3	aluminium	
6	2240060 Piston	3	Ø 72	
7	260700 Pin	3		
8	160691 Ring	6	seeger Øi 18	
9	260230 Piston ring	3		
10	2240100 Hub pin	3	C=30Nm / Loxeal 83-21	
11	2680080 Sleeve	3		
12	550081 Diaphragm	3	BlueFlex - Øe 115	
13	580090 Plate	3		
14	2240110 Nut	3	M10	
15	2680031 Head	1	sx	
16	750070 Screw	18	TE M12x70	
17	2680040 Cover	3		
18	900210 Fitting	2	3/8" G (M-F)	Loxeal 83-21
19	130491 Valve	1	3/8" G - 1/2" G (M-M)	C=20Nm / Loxeal 55-14
20	110131 Ring nut	2	1/2" G	
21	1520650 O-ring	6	Ø 29,82x2,62	Lubricate with motor oil
22	2680030 Head	2	dx	
23	2689050 Valve	6		
24	180240 O-ring	6	Ø 31,34x3,53	
25	2680150 O-ring	6	Ø 42,52x2,62	Lubricate with motor oil
26	540300 Screw	12	TCEI M10x30	C=40Nm
27	130171 Plug	3	3/8" G	C=20Nm / Loxeal 55-14
28	851650 Elbow	1		Loxeal 55-14
29	250310 O-ring	1	Ø 36,14x2,62	Lubricate with motor oil
30	2680520 Fitting	1	1" 1/2 G - 1" 1/4 G (M-M)	
31	750670 Ring nut	1	1" 1/2 G	
32	2680530 Elbow	1	Ø 40	
33	130492 Valve	1	3/8" G - 1/2" G (M-M)	C=20Nm / Loxeal 55-14
34	2680310 Fitting	1		Loxeal 55-14
35	1609002 Safety valve	1	50 bar	C=10Nm / Loxeal 24-18
36	880831 O-ring	1	Ø 15,54x2,62 Viton	Lubricate Molykote G-807
37	550450 Ring nut	1	3/4" G	
38	550460 Elbow	1	Ø 18	
39	750040 Gasket	1		Seal with Arexons Mastic
40	750030 Tank	1	threaded	< 20/24
40	750031 Tank	1	with bayonet	
41	380241 Washer	2		
42	680350 Screw	2	TCEI M8x35	C=10Nm
43	1040060 O-ring	1	Ø 72,69x2,62	Lubricate Molykote Longterm W2 < 20/24
43	580230 O-ring	1	Ø 69,52x2,62	
44	750050 Plug	1	threaded - red	< 20/24



AR 1203

32118 AR 1203 AP C/C - BlueFlex



AR_01_015_v01

Customer: AR
Customer Code:



SAE 30
1,600 Kg

Revision: 1

Date: 05/07/2024

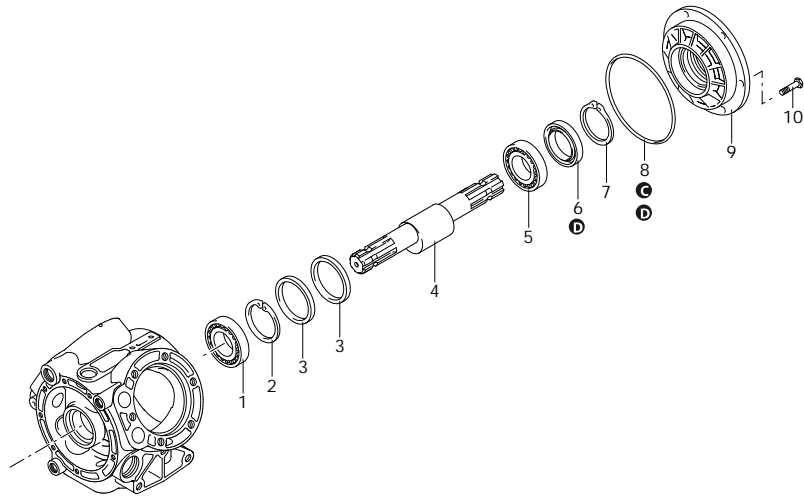
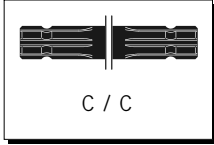
Code	Description		Q	Note	Validity
44	4700622 Plug	with bayonet - red	1		
45	43071 Air chamber	BlueFlex	1		
46	720030 O-ring	Ø 22,22x2,62	1	Lubricate Molykote G-807	
47	2240490 Fitting		1	C=20Nm / Loxeal 24-18	
48	2240481 Semi air chamber	lower	1	Loxeal 83-21	
49	550194 Diaphragm	BlueFlex - Øe 110	1		
50	620234 Semi air chamber	upper	1		
51	380410 Screw	TCEI M8x40	8	C=20Nm	
52	650542 Gasket		1	Lubricate with motor oil	
53	180020 Air valve		1	C=3Nm / Loxeal 55-14	
54	180101 O-ring	Ø 17,5x2	1	Lubricate with motor oil	
55	820361 Plug	1/2" G brass	1		
56	2240270 O-ring	Ø 26,65x2,62	1	Lubricate with motor oil	
57	1400120 O-ring	Ø 145,72x2,62	1	Lubricate with motor oil	
58	2680110 Ring	seal	1		
59	2680050 Line	intake	1		
60	180370 Screw	TCEI M8x25	9	C=20Nm	
61	1500470 Cardan protection	Ø 239 mm	1		
62	390311 Washer		3		
63	850250 Screw	TCEI M8x12	3		
64	751780 Plug		1		
A	42200 Valve kit		1		
B	43085 Diaphragms kit	BlueFlex	1		
C	42201 O-ring kit		1		
E	47197 Tank kit		1		





AR 1203

32118 AR 1203 AP C/C - BlueFlex



Code	Description	Q	Note	Validity
1	230350 Bearing		1 Press Mount	
2	230340 Ring	seeger Øi 80	1	
3	2240540 Ring	Connecting-rod	2	
4	2680190 Shaft	CC marked	1	
5	230350 Bearing		1 Press Mount	
6	2680120 Ring	seal	1 Lubricate with Mineral Grease	
7	161050 Ring	seeger Øi 72	1	
8	1400120 O-ring	Ø 145,72x2,62	1 Lubricate with motor oil	
9	2680020 Flange		1	
10	160670 Screw	TE M10x25	6 C=40Nm	
A	42200 Valve kit		1	
B	43085 Diaphragms kit	BlueFlex	1	
C	42201 O-ring kit		1	

AR_03_028_v01

Customer: AR
Customer Code:



SAE 30
1,600 Kg

Revision: 1

Date: 05/07/2024

Validity: < XX/YY = From week/year